

rtc[®]

COUPLING TECHNOLOGY

www.rtc-tec.com



COLLECTORS

117-118-119

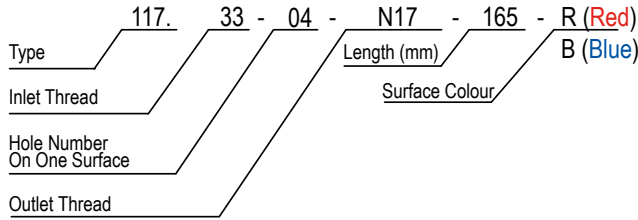
rtc TYPE



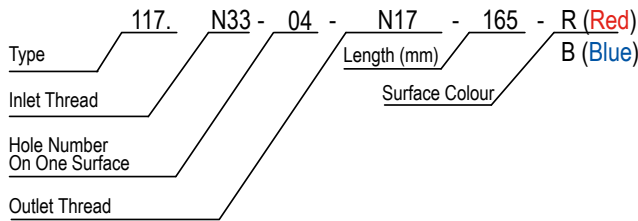
rtc 117 BRASS COLLECTORS



rtc 117 BSP THREAD (Standart Brass Collectors)



rtc 117 NPT THREAD (Brass Collectors)



Thread Size Explanations

- BSP=G
- NPT=N
- (1/4" = 13)
- (3/8" = 17)
- (1/2" = 21)
- (3/4" = 26)
- (1" = 33)
- (1-1/4" = 42)
- (1-1/2" = 48)
- (2" = 60)

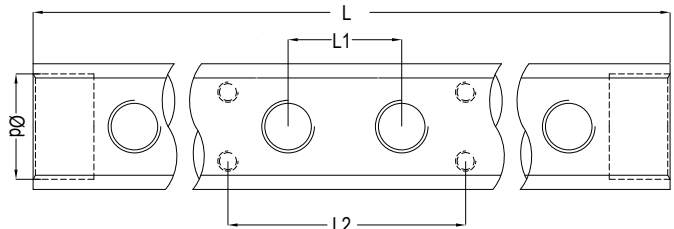
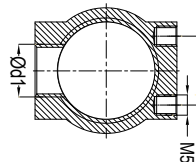


Collector Carrier

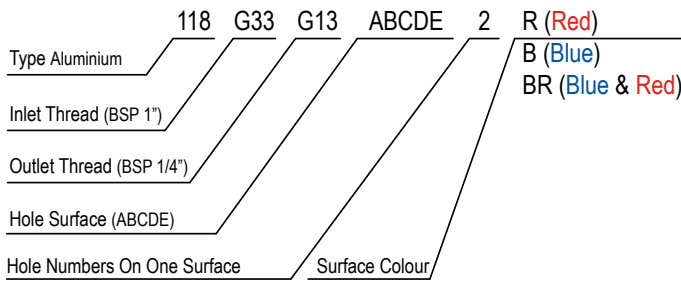
Order No:

117 CC 70 - (For 117.26 & 117.33)

117 CC 90 - (For 117.42)

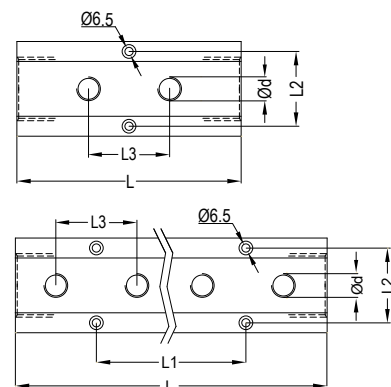
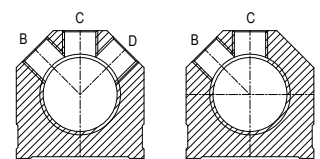
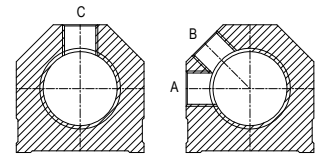
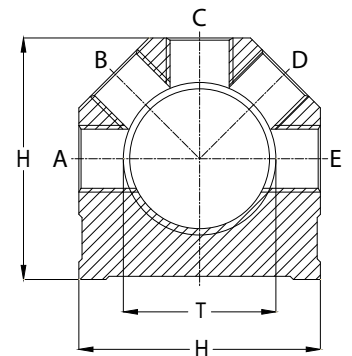


Ød	Order No / Bestellnr.	Ød1	L	L1	L2				
3/4	117.26-04-13-150	1/4	150	30	70				
	117.26-05-13-180								
	117.26-06-13-210								
	117.26-07-13-240								
	117.26-08-13-270								
	117.26-09-13-300								
	117.26-10-13-330								
	117.26-11-13-360								
	117.26-12-13-390								
	3/4		117.26-04-17-165			3/8	165	35	70
			117.26-05-17-200						
			117.26-06-17-235						
			117.26-07-17-270						
			117.26-08-17-305						
117.26-09-17-340									
117.26-10-17-375									
117.26-11-17-410									
117.26-12-17-445									
1		117.33-04-13-165	1/4	165	35		70		
	117.33-05-13-200								
	117.33-06-13-235								
	117.33-07-13-270								
	117.33-08-13-305								
	117.33-09-13-340								
	117.33-10-13-375								
	117.33-11-13-410								
	117.33-12-13-445								
	1	117.33-04-17-165		3/8		165		35	70
		117.33-05-17-200							
		117.33-06-17-235							
117.33-07-17-270									
117.33-08-17-305									
117.33-09-17-340									
117.33-10-17-375									
117.33-11-17-410									
117.33-12-17-445									
1		117.33-04-21-210	1/2		210	50	70		
		117.33-05-21-260							
		117.33-06-21-310							
	117.33-07-21-360								
	117.33-08-21-410								
	117.33-09-21-460								
	117.33-10-21-510								
	117.33-11-21-560								
	117.33-12-21-610								
	117.33-16-21-810								
	117.33-20-21-1010								
	1-1/4	117.42-04-17-196		3/8	196			40	150
117.42-05-17-236									
117.42-06-17-276									
117.42-08-17-356									
117.42-10-17-436									
117.42-12-17-516									
117.42-16-17-676									
1-1/4		117.42-04-21-226	1/2		226	50	150		
		117.42-05-21-276							
		117.42-06-21-326							
	117.42-07-21-376								
	117.42-08-21-426								
	117.42-10-21-526								
117.42-12-21-626									

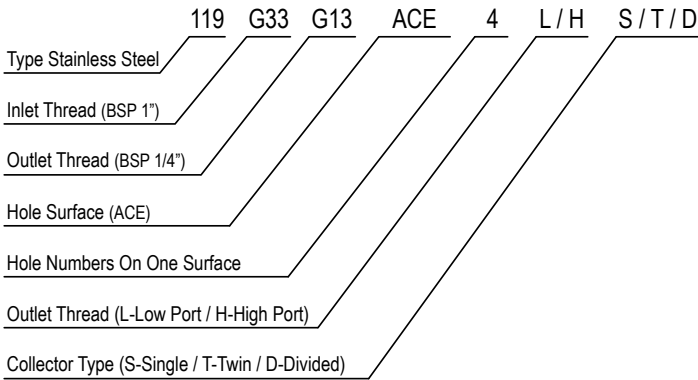


Thread Size Explanations
 BSP=G
 NPT=N
 (1/4" = 13)
 (3/8" = 17)
 (1/2" = 21)
 (3/4" = 26)
 (1" = 33)
 (1-1/4" = 42)
 (1-1/2" = 48)
 (2" = 60)

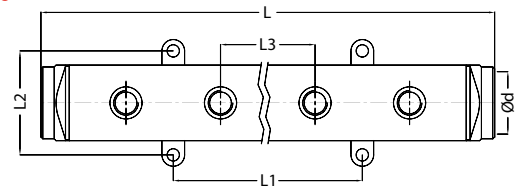
T Inlet Thread	Ød Outlet Thread	Number of Holes on one Surface	L				L1				L2	L3	H
			A	C	BD	ACE	ABC	BCD	ABCDE	A			
3/4	1/4	2	74				0				35	31	44.5
		4	132				62						
		6	194				124						
		8	256				186						
	3/8	2	90	110			0	0			35	40	44.5
		4	165	190	200		80	100					
		6	245	270	290		160	180					
		8	325	350			240	260					
1	1/4	2	103				0				38	40	51
		4	183				80						
		6	263				160						
		8	343				240						
	3/8	2	103	123			0	0			38	40	51
		4	183	210			80	100					
		6	263	290			160	180					
		8	343	370			240	260					
1-1/4	1/4 - 3/8 - 1/2	2	152				0				50	51	66
		4	254				101.6						
		6	355				203.2						
		8	457				304.8						
1-1/2	1/4 - 3/8 - 1/2	2	152				0				57	51	76
		4	254				101.6						
		6	355				203.2						
		8	457				304.8						
	3/4	2	164.5	164.5			0	0			50	63.5	76
		4	254	254			102	102					
		6	417.5	544.5			254	381					
		8	457	457			306	306					
2	3/8 - 1/2 - 3/4	2	178				0				72.5	63.5	89
		4	305				127						
		6	432				254						
		8	559				381						



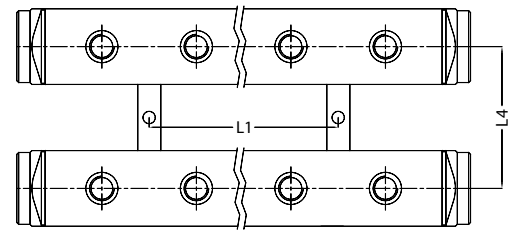
rtc 119 STAINLESS STEEL COLLECTORS



Single Profile



Twin Profile



Code Examples

- 119G33G13ACE4LS - Single Profile Low Port
- 119G33G13ACE4HS - Single Profile High Port
- 119G33G13ACE4LT - Twin Profile Low Port
- 119G33G13ACE4HT - Twin Profile High Port
- 119G33G13ACE4LD - Divided Profile Low Port
- 119G33G13ACE4HD - Divided Profile High Port

Thread Size

- BSP=G
- NPT=N
- (1/4" = 13)
- (3/8" = 17)
- (1/2" = 21)
- (3/4" = 26)
- (1" = 33)

T Inlet Thread	Ød Outlet Thread	Number of Holes on one Surface	L	L1	L2	L3	L4	H
1	1/4 - 3/8	2	140	0	55	50	75	40
		4	240	100				
		6	340	200				
		8	440	300				
1-1/4	1/4 - 3/8 - 1/2	2	140	0	65	50	90	50
		4	240	100				
		6	340	200				
		8	440	300				
1-1/2	1/4 - 3/8 - 1/2	2	140	0	65	50	100	50
		4	240	100				
		6	340	200				
		8	440	300				

High Port

Low Port

