

Water Multi Coupling For  
**European Plug Profile**

**rtc**<sup>®</sup>

COUPLING TECHNOLOGY

[www.rtc-tec.com](http://www rtc-tec.com)



# M090

rtc TYPE

rtc Multicoupling systems  
rtc Multikupplungssysteme type M090



rtc Multicoupling systems / rtc Multikupplungssysteme type M090



Type	Max. Working Pressure Max. Betriebsdruck	Flow size Nennweite	Connections Anschlüsse	Circuits Kreislauf
rtc M090.09	16 bar	09	6 / 8 / 10 / 12 / 16 / 20 / 24	3 / 4 / 5 / 6 / 8 / 10 / 12
<p><b>Temperature Range - Temperaturbereich</b>                      For oil / bei Öl                    -10°C +200°C (+14°F +392°F) FPM (V)                      For water / bei Wasser           -10°C +160°C (+14°F +320°F) FPM (V)</p>				



**Specification**

Connecting and disconnecting the circuits in one operation for quick mold change

Colour coded plates for circuit definition

**Eigenschaften**

Verbinden und Trennen von mehreren Kreisläufen in einem Arbeitsgang für das schnelle Rüsten

Kennzeichnung von Zu- und Rücklauf durch farbige Platten

**Applications**

Aluminium die casting  
 Test units  
 Plastics industry / cooling heating

**Anwendungen**

Aluminiumdruckguß  
 Prüfstände  
 Kunststoffindustrie / Mehrkreistemperierung / Kühlen Temperieren

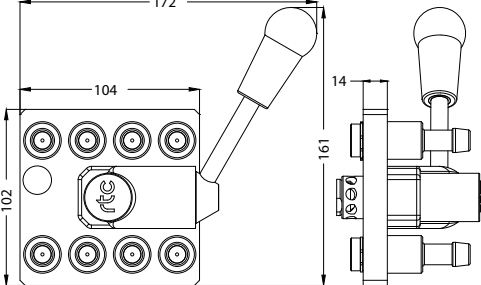
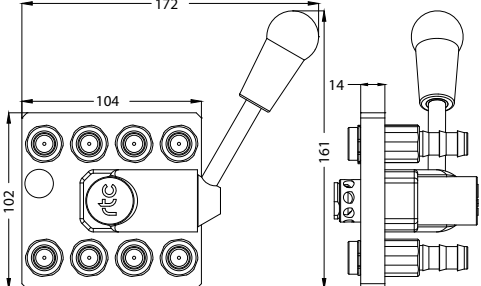
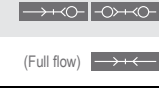
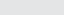

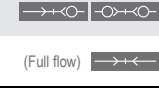
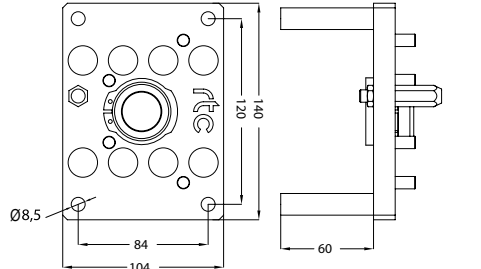
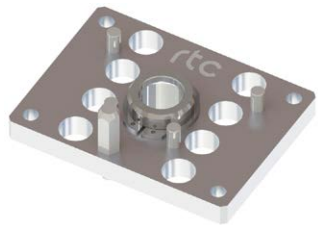
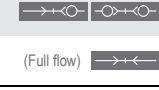
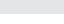

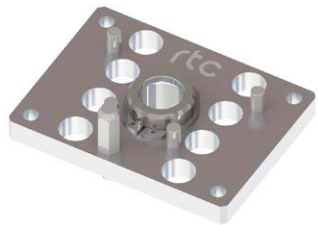
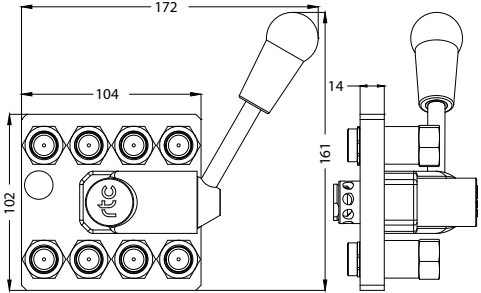
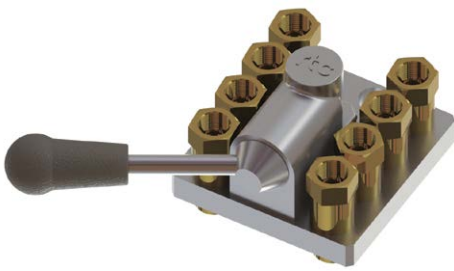

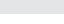


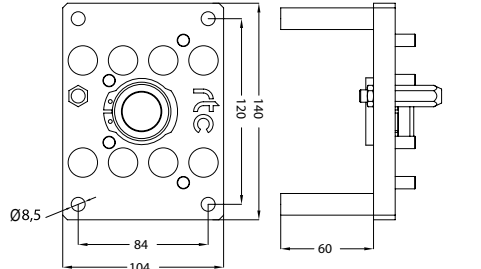

rtc TYPE M 090.09

Flow diameter 9 mm / Nennweite 9 mm

TYPE M 090.09	Mobile side / Versorgerseite	Item code / Artikelnummer												
<p>3 ↔ 3</p>		<p>Standard hose Schlauchanschluss</p> <table border="1"> <tr> <td></td> <td>Ø10</td> <td>M 090.09-06 SHB 10</td> </tr> <tr> <td></td> <td>Ø12</td> <td>M 090.09-06 SHB 12</td> </tr> <tr> <td>(Full flow) </td> <td>Ø10</td> <td>M 090.09-06 SHF 10</td> </tr> <tr> <td></td> <td>Ø12</td> <td>M 090.09-06 SHF 12</td> </tr> </table>		Ø10	M 090.09-06 SHB 10		Ø12	M 090.09-06 SHB 12	(Full flow)	Ø10	M 090.09-06 SHF 10		Ø12	M 090.09-06 SHF 12
	Ø10	M 090.09-06 SHB 10												
	Ø12	M 090.09-06 SHB 12												
(Full flow)	Ø10	M 090.09-06 SHF 10												
	Ø12	M 090.09-06 SHF 12												
		<p>Push to connect Steckschlauchanschluss</p> <table border="1"> <tr> <td></td> <td>Ø10</td> <td>M 090.09-06 SPB 10</td> </tr> <tr> <td></td> <td>Ø13</td> <td>M 090.09-06 SPB 13</td> </tr> <tr> <td>(Full flow) </td> <td>Ø10</td> <td>M 090.09-06 SPF 10</td> </tr> <tr> <td></td> <td>Ø13</td> <td>M 090.09-06 SPF 13</td> </tr> </table>		Ø10	M 090.09-06 SPB 10		Ø13	M 090.09-06 SPB 13	(Full flow)	Ø10	M 090.09-06 SPF 10		Ø13	M 090.09-06 SPF 13
	Ø10	M 090.09-06 SPB 10												
	Ø13	M 090.09-06 SPB 13												
(Full flow)	Ø10	M 090.09-06 SPF 10												
	Ø13	M 090.09-06 SPF 13												
		<p>Female thread Innengewinde</p> <table border="1"> <tr> <td></td> <td>BSP 3/8</td> <td>M 090.09-06 SFB 17</td> </tr> <tr> <td></td> <td>NPT 3/8</td> <td>M 090.09-06 SNB 17</td> </tr> <tr> <td>(Full flow) </td> <td>BSP 3/8</td> <td>M 090.09-06 SFF 17</td> </tr> <tr> <td></td> <td>NPT 3/8</td> <td>M 090.09-06 SNF 17</td> </tr> </table>		BSP 3/8	M 090.09-06 SFB 17		NPT 3/8	M 090.09-06 SNB 17	(Full flow)	BSP 3/8	M 090.09-06 SFF 17		NPT 3/8	M 090.09-06 SNF 17
	BSP 3/8	M 090.09-06 SFB 17												
	NPT 3/8	M 090.09-06 SNB 17												
(Full flow)	BSP 3/8	M 090.09-06 SFF 17												
	NPT 3/8	M 090.09-06 SNF 17												
TYPE K 090.09	Mould side / Abnehmerseite	Item code / Artikelnummer												
<p>3 ↔ 3</p>		<p>Plate for 6 lines / Platte für 6 Anschlüsse</p> <p>K 090.09-06</p>												

Flow diameter 9 mm / Nennweite 9 mm

TYPE M 090.09 **rtc**

TYPE M 090.09	Mobile side / Versorgerseite	Item code / Artikelnummer	
<p>4 ↔ 4</p> 	<p>Standard hose Schlauchanschluss</p> 	<p>  Ø10   Ø12                      (Full flow)  Ø10   Ø12                 </p>	<p>                     M 090.09-08 SHB 10                      M 090.09-08 SHB 12                      M 090.09-08 SHF 10                      M 090.09-08 SHF 12                 </p>
<p>4 ↔ 4</p> 	<p>Push to connect Steckschlauchanschluss</p> 	<p>  Ø10   Ø13                      (Full flow)  Ø10   Ø13                 </p>	<p>                     M 090.09-08 SPB 10                      M 090.09-08 SPB 13                      M 090.09-08 SPF 10                      M 090.09-08 SPF 13                 </p>
<p>4 ↔ 4</p> 	<p>Female thread Innengewinde</p> 	<p>  BSP 3/8   NPT 3/8                      (Full flow)  BSP 3/8   NPT 3/8                 </p>	<p>                     M 090.09-08 SFB 17                      M 090.09-08 SNB 17                      M 090.09-08 SFF 17                      M 090.09-08 SNF 17                 </p>
TYPE K 090.09	Mould side / Abnehmerseite	Item code / Artikelnummer	
<p>4 ↔ 4</p> 	<p>Plate for 8 lines / Platte für 8 Anschlüsse</p> 	<p>K 090.09-08</p>	

rtc TYPE M 090.09

Flow diameter 9 mm / Nennweite 9 mm

TYPE M 090.09	Mobile side / Versorgerseite	Item code / Artikelnummer													
<p>5 ↔ 5</p>		<p>Standard hose Schlauchanschluss</p>	<table border="1"> <tr> <td></td> <td>Ø10</td> <td>M 090.09-10 SHB 10</td> </tr> <tr> <td></td> <td>Ø12</td> <td>M 090.09-10 SHB 12</td> </tr> <tr> <td>(Full flow) </td> <td>Ø10</td> <td>M 090.09-10 SHF 10</td> </tr> <tr> <td></td> <td>Ø12</td> <td>M 090.09-10 SHF 12</td> </tr> </table>		Ø10	M 090.09-10 SHB 10		Ø12	M 090.09-10 SHB 12	(Full flow)	Ø10	M 090.09-10 SHF 10		Ø12	M 090.09-10 SHF 12
		Ø10	M 090.09-10 SHB 10												
		Ø12	M 090.09-10 SHB 12												
(Full flow)	Ø10	M 090.09-10 SHF 10													
	Ø12	M 090.09-10 SHF 12													
	<p>Push to connect Steckschlauchanschluss</p>	<table border="1"> <tr> <td></td> <td>Ø10</td> <td>M 090.09-10 SPB 10</td> </tr> <tr> <td></td> <td>Ø13</td> <td>M 090.09-10 SPB 13</td> </tr> <tr> <td>(Full flow) </td> <td>Ø10</td> <td>M 090.09-10 SPF 10</td> </tr> <tr> <td></td> <td>Ø13</td> <td>M 090.09-10 SPF 13</td> </tr> </table>		Ø10	M 090.09-10 SPB 10		Ø13	M 090.09-10 SPB 13	(Full flow)	Ø10	M 090.09-10 SPF 10		Ø13	M 090.09-10 SPF 13	
	Ø10	M 090.09-10 SPB 10													
	Ø13	M 090.09-10 SPB 13													
(Full flow)	Ø10	M 090.09-10 SPF 10													
	Ø13	M 090.09-10 SPF 13													
	<p>Female thread Innengewinde</p>	<table border="1"> <tr> <td></td> <td>BSP 3/8</td> <td>M 090.09-10 SFB 17</td> </tr> <tr> <td></td> <td>NPT 3/8</td> <td>M 090.09-10 SNB 17</td> </tr> <tr> <td>(Full flow) </td> <td>BSP 3/8</td> <td>M 090.09-10 SFF 17</td> </tr> <tr> <td></td> <td>NPT 3/8</td> <td>M 090.09-10 SNF 17</td> </tr> </table>		BSP 3/8	M 090.09-10 SFB 17		NPT 3/8	M 090.09-10 SNB 17	(Full flow)	BSP 3/8	M 090.09-10 SFF 17		NPT 3/8	M 090.09-10 SNF 17	
	BSP 3/8	M 090.09-10 SFB 17													
	NPT 3/8	M 090.09-10 SNB 17													
(Full flow)	BSP 3/8	M 090.09-10 SFF 17													
	NPT 3/8	M 090.09-10 SNF 17													
<p>5 ↔ 5</p>	<p>Mould side / Abnehmerseite</p>	<table border="1"> <thead> <tr> <th colspan="2"></th> <th>Item code / Artikelnummer</th> </tr> </thead> <tbody> <tr> <td data-bbox="766 1803 997 1870"> <p>Plate with 10 plugs Platte mit 10 Anschlüsse</p> </td> <td data-bbox="997 1803 1268 1870"> <table border="1"> <tr> <td></td> <td>BSP 3/8</td> <td>K 090.09-10 PMB 17</td> </tr> <tr> <td>(Full flow) </td> <td>BSP 3/8</td> <td>K 090.09-10 PMF 17</td> </tr> </table> </td> <td data-bbox="1268 1803 1548 1870"></td> </tr> </tbody> </table>				Item code / Artikelnummer	<p>Plate with 10 plugs Platte mit 10 Anschlüsse</p>	<table border="1"> <tr> <td></td> <td>BSP 3/8</td> <td>K 090.09-10 PMB 17</td> </tr> <tr> <td>(Full flow) </td> <td>BSP 3/8</td> <td>K 090.09-10 PMF 17</td> </tr> </table>		BSP 3/8	K 090.09-10 PMB 17	(Full flow)	BSP 3/8	K 090.09-10 PMF 17	
		Item code / Artikelnummer													
<p>Plate with 10 plugs Platte mit 10 Anschlüsse</p>	<table border="1"> <tr> <td></td> <td>BSP 3/8</td> <td>K 090.09-10 PMB 17</td> </tr> <tr> <td>(Full flow) </td> <td>BSP 3/8</td> <td>K 090.09-10 PMF 17</td> </tr> </table>		BSP 3/8	K 090.09-10 PMB 17	(Full flow)	BSP 3/8	K 090.09-10 PMF 17								
	BSP 3/8	K 090.09-10 PMB 17													
(Full flow)	BSP 3/8	K 090.09-10 PMF 17													




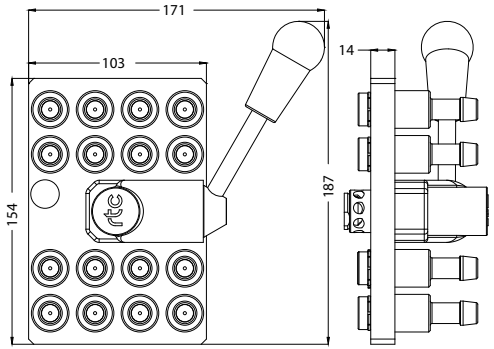









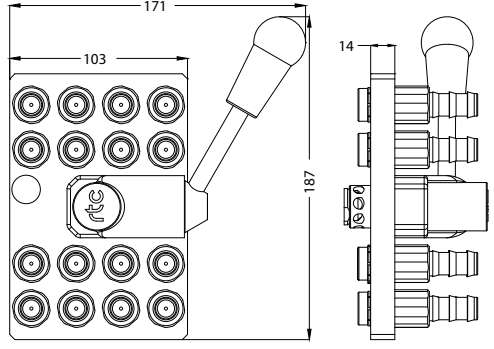









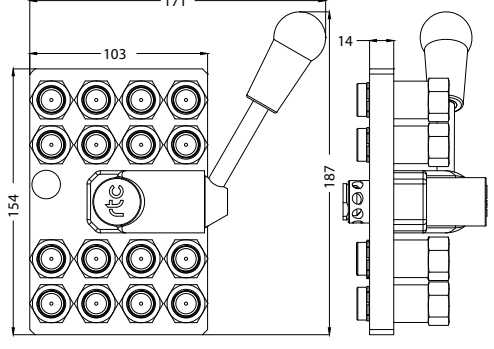










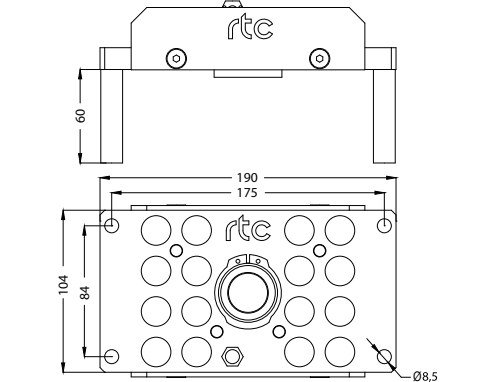



Flow diameter 9 mm / Nennweite 9 mm

TYPE M 090.09 **rtc**

TYPE M 090.09	Mobile side / Versorgerseite	Item code / Artikelnummer										
<p>6 ↔ 6</p>		<p>Standard hose Schlauchanschluss</p>		<table border="1"> <tr><td>Ø10</td><td>M 090.09-12 SHB 10</td></tr> <tr><td>Ø12</td><td>M 090.09-12 SHB 12</td></tr> <tr><td>Ø10 (Full flow)</td><td>M 090.09-12 SHF 10</td></tr> <tr><td>Ø12 (Full flow)</td><td>M 090.09-12 SHF 12</td></tr> </table>	Ø10	M 090.09-12 SHB 10	Ø12	M 090.09-12 SHB 12	Ø10 (Full flow)	M 090.09-12 SHF 10	Ø12 (Full flow)	M 090.09-12 SHF 12
	Ø10	M 090.09-12 SHB 10										
	Ø12	M 090.09-12 SHB 12										
	Ø10 (Full flow)	M 090.09-12 SHF 10										
Ø12 (Full flow)	M 090.09-12 SHF 12											
	<p>Push to connect Steckschlauchanschluss</p>		<table border="1"> <tr><td>Ø10</td><td>M 090.09-12 SPB 10</td></tr> <tr><td>Ø13</td><td>M 090.09-12 SPB 13</td></tr> <tr><td>Ø10 (Full flow)</td><td>M 090.09-12 SPF 10</td></tr> <tr><td>Ø13 (Full flow)</td><td>M 090.09-12 SPF 13</td></tr> </table>	Ø10	M 090.09-12 SPB 10	Ø13	M 090.09-12 SPB 13	Ø10 (Full flow)	M 090.09-12 SPF 10	Ø13 (Full flow)	M 090.09-12 SPF 13	
Ø10	M 090.09-12 SPB 10											
Ø13	M 090.09-12 SPB 13											
Ø10 (Full flow)	M 090.09-12 SPF 10											
Ø13 (Full flow)	M 090.09-12 SPF 13											
	<p>Female thread Innengewinde</p>		<table border="1"> <tr><td>BSP 3/8</td><td>M 090.09-12 SFB 17</td></tr> <tr><td>NPT 3/8</td><td>M 090.09-12 SNB 17</td></tr> <tr><td>BSP 3/8 (Full flow)</td><td>M 090.09-12 SFF 17</td></tr> <tr><td>NPT 3/8 (Full flow)</td><td>M 090.09-12 SNF 17</td></tr> </table>	BSP 3/8	M 090.09-12 SFB 17	NPT 3/8	M 090.09-12 SNB 17	BSP 3/8 (Full flow)	M 090.09-12 SFF 17	NPT 3/8 (Full flow)	M 090.09-12 SNF 17	
BSP 3/8	M 090.09-12 SFB 17											
NPT 3/8	M 090.09-12 SNB 17											
BSP 3/8 (Full flow)	M 090.09-12 SFF 17											
NPT 3/8 (Full flow)	M 090.09-12 SNF 17											
	<p>Female thread collector Innengewinde Sammler</p>		<table border="1"> <tr><td>BSP 1</td><td>M 090.09-12 C 33</td></tr> <tr><td>NPT 1</td><td>M 090.09-12 CN 33</td></tr> </table>	BSP 1	M 090.09-12 C 33	NPT 1	M 090.09-12 CN 33					
BSP 1	M 090.09-12 C 33											
NPT 1	M 090.09-12 CN 33											
<p>6 ↔ 6</p>	<p>TYPE K 090.09</p> <p>Mould side / Abnehmerseite</p> <p>K 090.09-12 AD</p>	<p>Plate for 12 lines / Platte mit 12 Anschlüsse</p> <table border="1"> <tr><td>K 090.09-12</td></tr> <tr><td>K 090.09-12 AD</td></tr> </table> <p>K 090.09-12</p>		K 090.09-12	K 090.09-12 AD							
K 090.09-12												
K 090.09-12 AD												

**rtc** TYPE M 090.09

Flow diameter 9 mm / Nennweite 9 mm

TYPE M 090.09	Mobile side / Versorgerseite	Item code / Artikelnummer						
		<table border="1"> <tr> <td data-bbox="766 347 997 436">Standard hose Schlauchanschluss</td> <td data-bbox="997 347 1273 436">             Ø10            Ø12            (Full flow)             Ø10            Ø12         </td> <td data-bbox="1273 347 1548 436">           M 090.09-16 SHB 10            M 090.09-16 SHB 12            M 090.09-16 SHF 10            M 090.09-16 SHF 12         </td> </tr> <tr> <td colspan="3" data-bbox="766 436 1548 784" style="text-align: center;">  </td> </tr> </table>	Standard hose Schlauchanschluss	 Ø10 Ø12 (Full flow)  Ø10 Ø12	M 090.09-16 SHB 10 M 090.09-16 SHB 12 M 090.09-16 SHF 10 M 090.09-16 SHF 12			
	Standard hose Schlauchanschluss	 Ø10 Ø12 (Full flow)  Ø10 Ø12	M 090.09-16 SHB 10 M 090.09-16 SHB 12 M 090.09-16 SHF 10 M 090.09-16 SHF 12					
								
	<table border="1"> <tr> <td data-bbox="766 795 997 884">Push to connect Steckschlauchanschluss</td> <td data-bbox="997 795 1273 884">             Ø10            Ø13            (Full flow)             Ø10            Ø13         </td> <td data-bbox="1273 795 1548 884">           M 090.09-16 SPB 10            M 090.09-16 SPB 13            M 090.09-16 SPF 10            M 090.09-16 SPF 13         </td> </tr> <tr> <td colspan="3" data-bbox="766 884 1548 1232" style="text-align: center;">  </td> </tr> </table>	Push to connect Steckschlauchanschluss	 Ø10 Ø13 (Full flow)  Ø10 Ø13	M 090.09-16 SPB 10 M 090.09-16 SPB 13 M 090.09-16 SPF 10 M 090.09-16 SPF 13				
Push to connect Steckschlauchanschluss	 Ø10 Ø13 (Full flow)  Ø10 Ø13	M 090.09-16 SPB 10 M 090.09-16 SPB 13 M 090.09-16 SPF 10 M 090.09-16 SPF 13						
								
	<table border="1"> <tr> <td data-bbox="766 1243 997 1332">Female thread Innengewinde</td> <td data-bbox="997 1243 1273 1332">             BSP 3/8            NPT 3/8            (Full flow)             BSP 3/8            NPT 3/8         </td> <td data-bbox="1273 1243 1548 1332">           M 090.09-16 SFB 17            M 090.09-16 SNB 17            M 090.09-16 SFF 17            M 090.09-16 SNF 17         </td> </tr> <tr> <td colspan="3" data-bbox="766 1332 1548 1668" style="text-align: center;">  </td> </tr> </table>	Female thread Innengewinde	 BSP 3/8 NPT 3/8 (Full flow)  BSP 3/8 NPT 3/8	M 090.09-16 SFB 17 M 090.09-16 SNB 17 M 090.09-16 SFF 17 M 090.09-16 SNF 17				
Female thread Innengewinde	 BSP 3/8 NPT 3/8 (Full flow)  BSP 3/8 NPT 3/8	M 090.09-16 SFB 17 M 090.09-16 SNB 17 M 090.09-16 SFF 17 M 090.09-16 SNF 17						
								
	<p data-bbox="359 1675 662 1713">Mould side / Abnehmerseite</p> 	<table border="1"> <tr> <td data-bbox="766 1713 1273 1758">Plate for 16 lines / Platte für 16 Anschlüsse</td> <td data-bbox="1273 1675 1548 1758">Item code / Artikelnummer</td> </tr> <tr> <td colspan="2" data-bbox="766 1758 1548 2128" style="text-align: center;">  </td> </tr> </table>	Plate for 16 lines / Platte für 16 Anschlüsse	Item code / Artikelnummer				
Plate for 16 lines / Platte für 16 Anschlüsse	Item code / Artikelnummer							
								

Flow diameter 9 mm / Nennweite 9 mm

TYPE M 090.09 **rtc**

TYPE M 090.09	Mobile side / Versorgerseite	Item code / Artikelnummer																	
<p>10 ↔ 10</p>		<p>Standard hose Schlauchanschluss</p>	<table border="1"> <tr> <td>→+○←</td> <td>○+←○</td> <td>Ø10</td> <td>M 090.09-20 SHB 10</td> </tr> <tr> <td></td> <td></td> <td>Ø12</td> <td>M 090.09-20 SHB 12</td> </tr> <tr> <td>(Full flow) →+←</td> <td></td> <td>Ø10</td> <td>M 090.09-20 SHF 10</td> </tr> <tr> <td></td> <td></td> <td>Ø12</td> <td>M 090.09-20 SHF 12</td> </tr> </table>	→+○←	○+←○	Ø10	M 090.09-20 SHB 10			Ø12	M 090.09-20 SHB 12	(Full flow) →+←		Ø10	M 090.09-20 SHF 10			Ø12	M 090.09-20 SHF 12
	→+○←	○+←○	Ø10	M 090.09-20 SHB 10															
			Ø12	M 090.09-20 SHB 12															
	(Full flow) →+←		Ø10	M 090.09-20 SHF 10															
		Ø12	M 090.09-20 SHF 12																
	<p>Push to connect Steckschlauchanschluss</p>	<table border="1"> <tr> <td>→+○←</td> <td>○+←○</td> <td>Ø10</td> <td>M 090.09-20 SPB 10</td> </tr> <tr> <td></td> <td></td> <td>Ø13</td> <td>M 090.09-20 SPB 13</td> </tr> <tr> <td>(Full flow) →+←</td> <td></td> <td>Ø10</td> <td>M 090.09-20 SPF 10</td> </tr> <tr> <td></td> <td></td> <td>Ø13</td> <td>M 090.09-20 SPF 13</td> </tr> </table>	→+○←	○+←○	Ø10	M 090.09-20 SPB 10			Ø13	M 090.09-20 SPB 13	(Full flow) →+←		Ø10	M 090.09-20 SPF 10			Ø13	M 090.09-20 SPF 13	
→+○←	○+←○	Ø10	M 090.09-20 SPB 10																
		Ø13	M 090.09-20 SPB 13																
(Full flow) →+←		Ø10	M 090.09-20 SPF 10																
		Ø13	M 090.09-20 SPF 13																
	<p>Female thread Innengewinde</p>	<table border="1"> <tr> <td>→+○←</td> <td>○+←○</td> <td>BSP 3/8</td> <td>M 090.09-20 SFB 17</td> </tr> <tr> <td></td> <td></td> <td>NPT 3/8</td> <td>M 090.09-20 SNB 17</td> </tr> <tr> <td>(Full flow) →+←</td> <td></td> <td>BSP 3/8</td> <td>M 090.09-20 SFF 17</td> </tr> <tr> <td></td> <td></td> <td>NPT 3/8</td> <td>M 090.09-20 SNF 17</td> </tr> </table>	→+○←	○+←○	BSP 3/8	M 090.09-20 SFB 17			NPT 3/8	M 090.09-20 SNB 17	(Full flow) →+←		BSP 3/8	M 090.09-20 SFF 17			NPT 3/8	M 090.09-20 SNF 17	
→+○←	○+←○	BSP 3/8	M 090.09-20 SFB 17																
		NPT 3/8	M 090.09-20 SNB 17																
(Full flow) →+←		BSP 3/8	M 090.09-20 SFF 17																
		NPT 3/8	M 090.09-20 SNF 17																
	<p>Female thread collector Innengewinde Sammler</p>	<table border="1"> <tr> <td>→+○←</td> <td>○+←○</td> <td>BSP 1-1/4</td> <td>M 090.09-20 C 42</td> </tr> <tr> <td></td> <td></td> <td>NPT 1-1/4</td> <td>M 090.09-20 CN 42</td> </tr> </table>	→+○←	○+←○	BSP 1-1/4	M 090.09-20 C 42			NPT 1-1/4	M 090.09-20 CN 42									
→+○←	○+←○	BSP 1-1/4	M 090.09-20 C 42																
		NPT 1-1/4	M 090.09-20 CN 42																
<p>10 ↔ 10</p>	<p>TYPE K 090.09</p> <p>Mould side / Abnehmerseite</p>	<p>Plate for 20 lines / Platte für 20 Anschlüsse</p> <p>Item code / Artikelnummer: K 090.09-20</p>																	



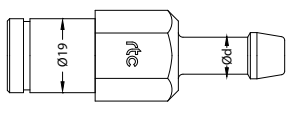







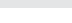
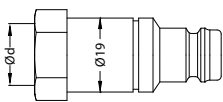


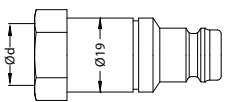

**rtc** TYPE M 090.09

Flow diameter 9 mm / Nennweite 9 mm

TYPE M 090.09	Mobile side / Versorgerseite	Item code / Artikelnummer												
<p>12 ↔ 12</p>		<p>Standard hose Schlauchanschluss</p> <table border="0"> <tr> <td></td> <td>Ø10</td> <td>M 090.09-24 SHB 10</td> </tr> <tr> <td></td> <td>Ø12</td> <td>M 090.09-24 SHB 12</td> </tr> <tr> <td>(Full flow) </td> <td>Ø10</td> <td>M 090.09-24 SHF 10</td> </tr> <tr> <td></td> <td>Ø12</td> <td>M 090.09-24 SHF 12</td> </tr> </table>		Ø10	M 090.09-24 SHB 10		Ø12	M 090.09-24 SHB 12	(Full flow)	Ø10	M 090.09-24 SHF 10		Ø12	M 090.09-24 SHF 12
		Ø10	M 090.09-24 SHB 10											
		Ø12	M 090.09-24 SHB 12											
	(Full flow)	Ø10	M 090.09-24 SHF 10											
		Ø12	M 090.09-24 SHF 12											
	<p>Push to connect Steckschlauchanschluss</p> <table border="0"> <tr> <td></td> <td>Ø10</td> <td>M 090.09-24 SPB 10</td> </tr> <tr> <td></td> <td>Ø13</td> <td>M 090.09-24 SPB 13</td> </tr> <tr> <td>(Full flow) </td> <td>Ø10</td> <td>M 090.09-24 SPF 10</td> </tr> <tr> <td></td> <td>Ø13</td> <td>M 090.09-24 SPF 13</td> </tr> </table>		Ø10	M 090.09-24 SPB 10		Ø13	M 090.09-24 SPB 13	(Full flow)	Ø10	M 090.09-24 SPF 10		Ø13	M 090.09-24 SPF 13	
	Ø10	M 090.09-24 SPB 10												
	Ø13	M 090.09-24 SPB 13												
(Full flow)	Ø10	M 090.09-24 SPF 10												
	Ø13	M 090.09-24 SPF 13												
	<p>Female thread Innengewinde</p> <table border="0"> <tr> <td></td> <td>BSP 3/8</td> <td>M 090.09-24 SFB 17</td> </tr> <tr> <td></td> <td>NPT 3/8</td> <td>M 090.09-24 SNB 17</td> </tr> <tr> <td>(Full flow) </td> <td>BSP 3/8</td> <td>M 090.09-24 SFF 17</td> </tr> <tr> <td></td> <td>NPT 3/8</td> <td>M 090.09-24 SNF 17</td> </tr> </table>		BSP 3/8	M 090.09-24 SFB 17		NPT 3/8	M 090.09-24 SNB 17	(Full flow)	BSP 3/8	M 090.09-24 SFF 17		NPT 3/8	M 090.09-24 SNF 17	
	BSP 3/8	M 090.09-24 SFB 17												
	NPT 3/8	M 090.09-24 SNB 17												
(Full flow)	BSP 3/8	M 090.09-24 SFF 17												
	NPT 3/8	M 090.09-24 SNF 17												
	<p>Female thread collector Innengewinde Sammler</p> <table border="0"> <tr> <td></td> <td>BSP 1-1/4</td> <td>M 090.09-24 C 42</td> </tr> <tr> <td></td> <td>NPT 1-1/4</td> <td>M 090.09-24 CN 42</td> </tr> </table>		BSP 1-1/4	M 090.09-24 C 42		NPT 1-1/4	M 090.09-24 CN 42							
	BSP 1-1/4	M 090.09-24 C 42												
	NPT 1-1/4	M 090.09-24 CN 42												
<p>12 ↔ 12</p>	<p>Mould side / Abnehmerseite</p>	<p>Plate for 24 lines / Platte für 24 Anschlüsse</p> <p>K 090.09-24</p>												

Flow diameter 9 mm / Nennweite 9 mm

TYPE M 090.09 

TYPE M 090.09	Sockets / Kupplungen	Connection / Anschluss	Item code / Artikelnummer
	Standard hose Schlauchanschluss	 (Full flow) 	Ø10 M 090.09 SHB 10 Ø12 M 090.09 SHB 12 Ø10 M 090.09 SHF 10 Ø12 M 090.09 SHF 12
	Push to connect Steckschlauchanschluss	 (Full flow) 	Ø10 M 090.09 SPB 10 Ø13 M 090.09 SPB 13 Ø10 M 090.09 SPF 10 Ø13 M 090.09 SPF 13
	Female thread Innengewinde	 (Full flow) 	BSP 3/8 M 090.09 SFB 17 NPT 3/8 M 090.09 SNB 17 BSP 3/8 M 090.09 SFF 17 NPT 3/8 M 090.09 SNF 17
	For collector Für Sammler	 (Full flow) 	M 090.09 SAB 00 M 090.09 SAF 00
TYPE M 090.09	Plugs / Nippel	Connection / Anschluss	Item code / Artikelnummer
	Female thread Innengewinde	 (Full flow) 	BSP 3/8 M 090.09 PFB 17 NPT 3/8 M 090.09 PNB 17 BSP 3/8 M 090.09 PFF 17 NPT 3/8 M 090.09 PNF 17
	TYPE M 090.09	Adapters elbow / Adapter Winkel	Connection / Anschluss
	Standard hose Schlauchanschluss	BSP 3/8 → Ø10 NPT 3/8 → Ø12	EBH 17/10-90 EBH 17/12-90 EBH 17T/10-90 EBH 17T/12-90
	Push to connect Steckschlauchanschluss	BSP 3/8 → Ø10 NPT 3/8 → Ø13	EBP 17/10-90 EBP 17/13-90 EBP 17T/10-90 EBP 17T/13-90
	TE 17-17-20 BSP 3/8" Female - BSP 3/8" Male Extention BSP 3/8" Innengewinde - BSP 3/8" Aussengewinde Verlängerung  TE 17-N17-20 NPT 3/8" Female - BSP 3/8" Male Extention NPT 3/8" Innengewinde - BSP 3/8" Aussengewinde Verlängerungx		